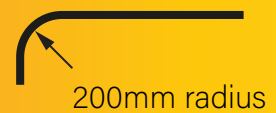


Venus V Series Curtain Tracking



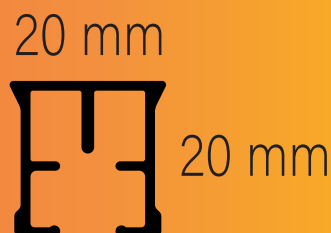
VM20 (Revised) Motorised Series Medium to Heavy Duty Applications

VM20 PR
(Premium)
White and Black Only

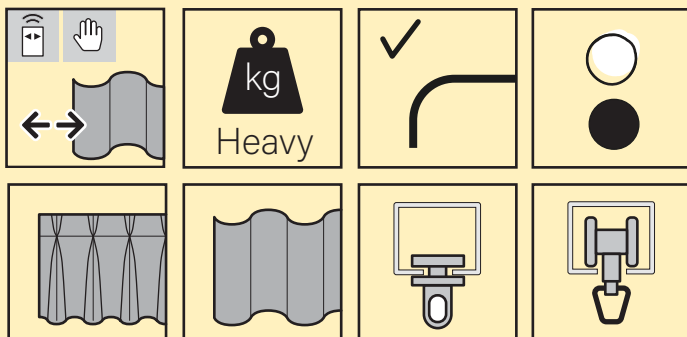
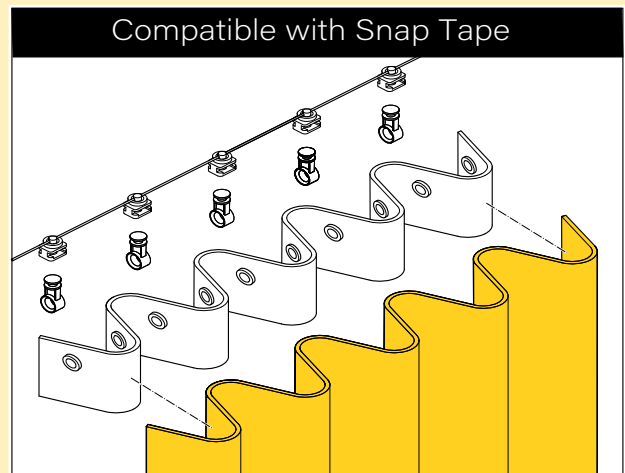
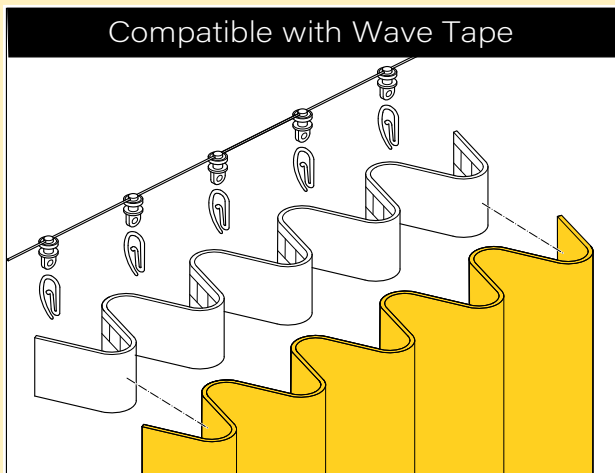
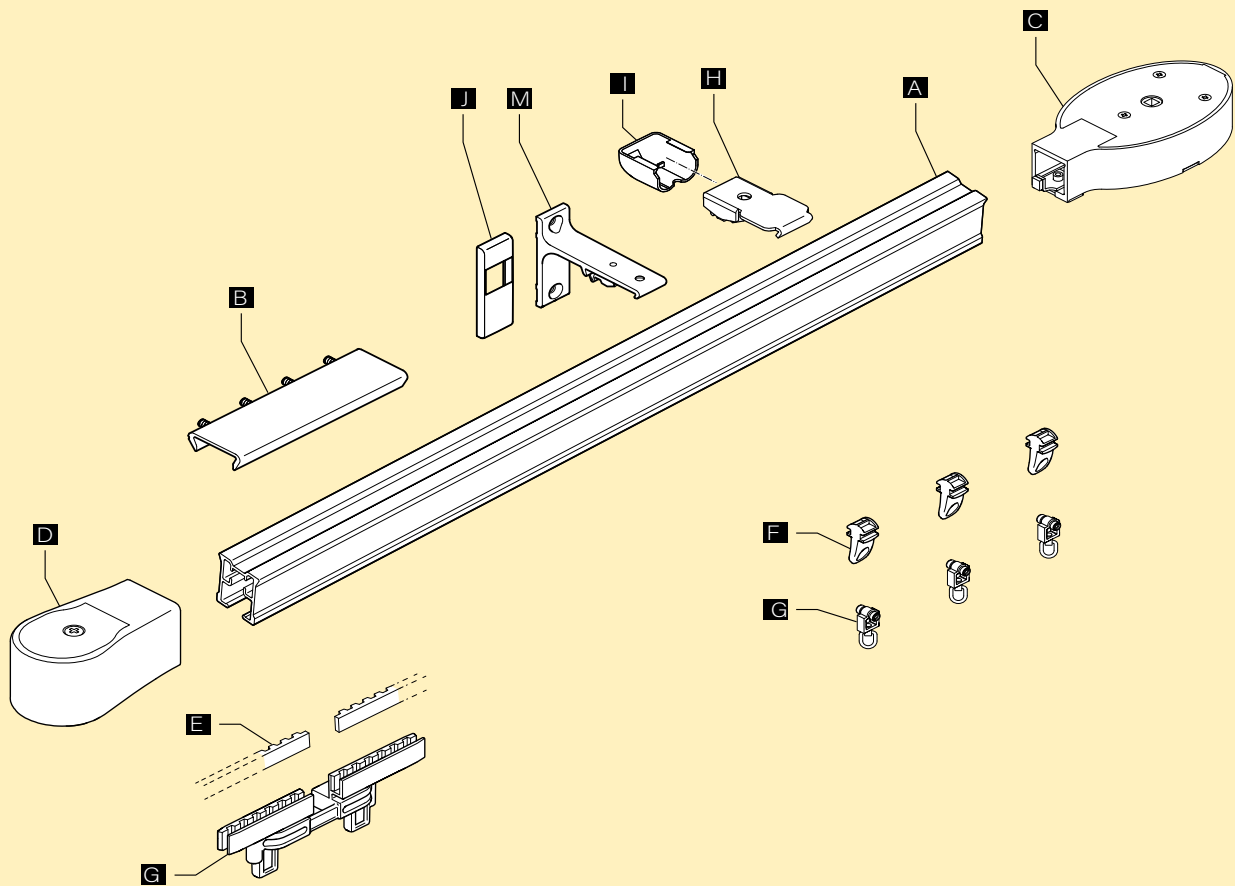


Powered By
somfy

VM20
(Standard)



European
Design



- Motorised
- Heavy Capacity
- Bendable
- Pleats or Ripple
- Glider or Roller

A 80-022-xxx



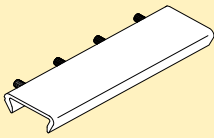
VM20PR Track
Up to 4m

A 80-022-xxx



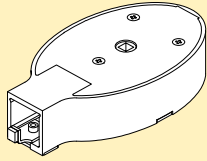
VM20 Track
Up to 5.8m

B 80-701-000



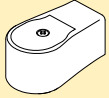
Common Joiner
White

C 80-830-000



V20 Drive Pulley
White (Powered by Somfy)

D 80-840-000



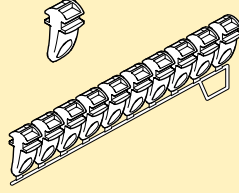
V20 Return Pulley
White

E 80-806-000



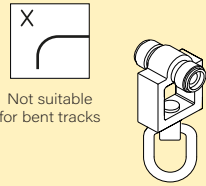
6mm Kevlar Belt
Green

F 80-800-000



Asymmetric
White, Black

G 80-804-000



Roller Glider
White

Not suitable for bent tracks

H 80-102-000



Top Fix Easi Bracket
White, Black

I 80-112-000



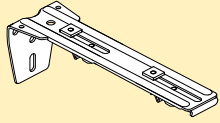
Top Fix Easi Cover
White, Black

80-118-000



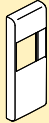
Light Duty Single Wall Bracket
White, Black

80-120-000



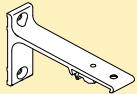
Light Duty Double Wall Bracket
White, Black

J 80-130-000



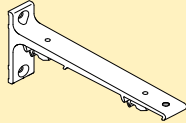
Heavy Duty Wall Bracket Cover
White, Black

K 80-124-000



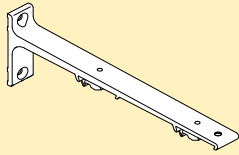
Med to Heavy
Fixed 75mm Wall Bracket
White, Black

80-126-000



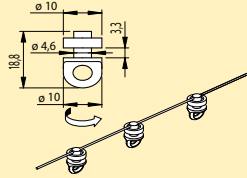
Med to Heavy Fixed 100mm Wall Bracket
White, Black

80-128-000



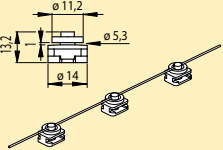
Med to Heavy Fixed 150mm Wall Bracket
White, Black

80-650-000



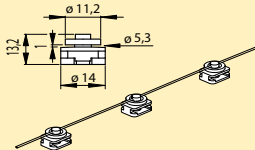
Standard S-Wave 60mm Runner
White, Black

80-648-000



Snapcarrier 54mm 2x Fullness
White

80-646-000







Snapcarrier 60mm 1.8x Fullness
White, Black

H 80-829-000



Heavy Duty Glider
White

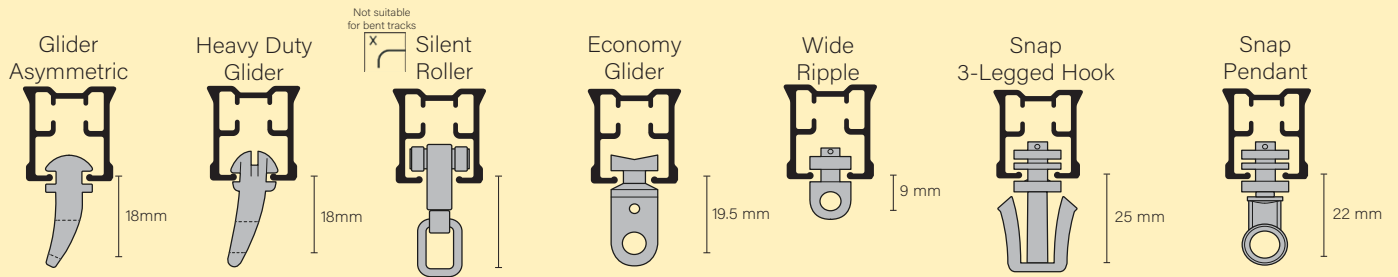
Capacity

Straight		Conforming to the motor specification Curtain Weight: up to 35kg/60kg rated motor = up to 35kg/60kg curtain weight
Single Curve		80% of Above Motor Capacities up to 28kg/48kg curtain weight
Two Curves		60% of Above Motor Capacities up to 21kg/36kg curtain weight
Continual Curve		50% of Above Motor Capacities up to 17.5kg/30kg curtain weight

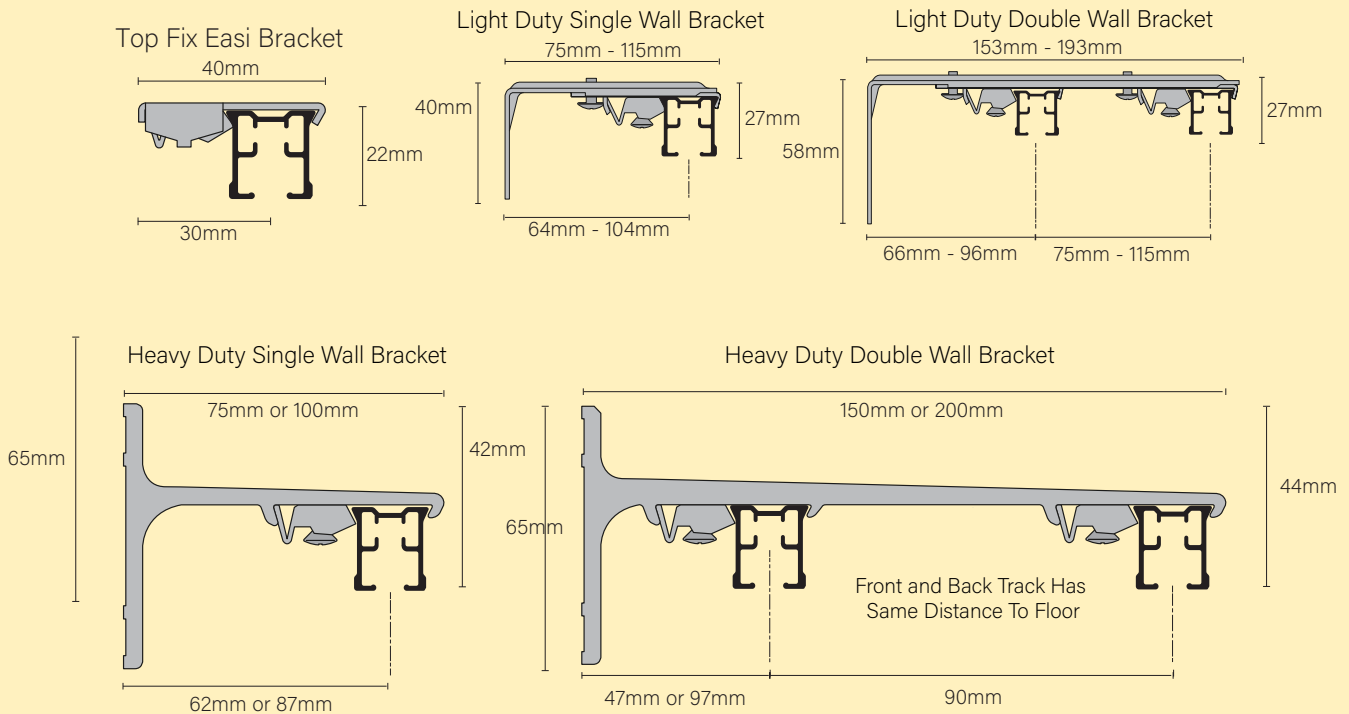
Calculate maximum curtain load in track stacking sections. Do not exceed guidelines.

- Consider additional brackets at stacking points and before and after joins/bends.
- The capacity and fixing distances are provided as a guide.
- They may vary depending on fixing strength, additional fixing brackets in stacking areas, etc.

Glider Options/Dimensions



Bracket Options/Dimensions



3/14 Tennyson Road
Gladesville NSW 2111

02 9807 5588
sales@venus.com.au

